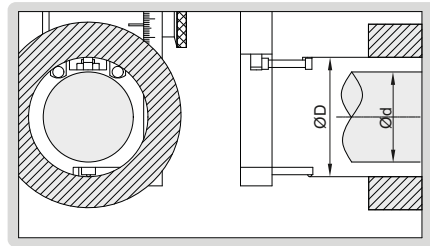


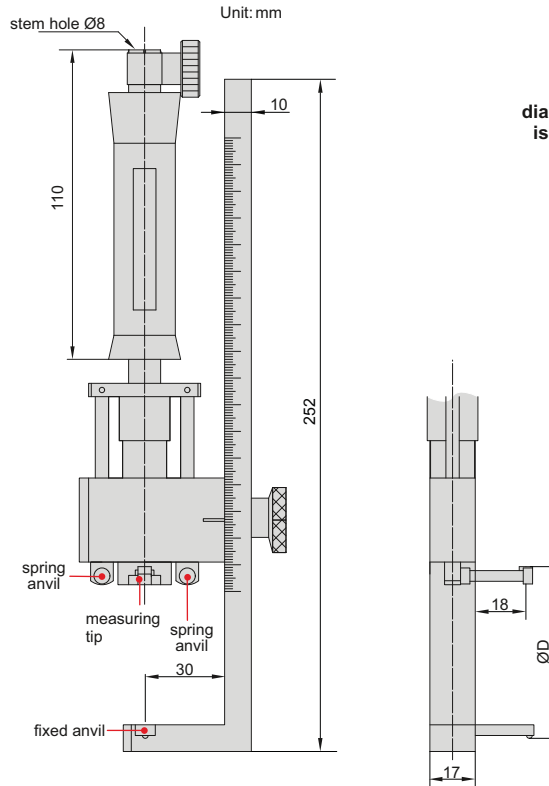
# BORE GAGE FOR BARRIER INSIDE BORE

MEASURE DIAMETER OF  
BORES WITH BARRIER INSIDE

ATTENTION: NOT SUITABLE  
FOR 0.001MM DIAL INDICATORS



- Measure diameter of bores with barrier inside
- Optional accessory:
  - 0.01mm graduation dial indicators
  - Setting ring (code 6312)



dial indicator  
is optional



2348-210

(mm)

Code	Range ØD	Diameter of barrier Ød	Travel of measuring tip	Accuracy (without dial indicator)	Measuring force
2348-210*	40-210mm	<D-14(less than 50mm)*	1.6	0.018	2N

\* For example:

When measuring size ØD is 40mm, D-14=26mm, so the diameter of barrier should be less than 26mm.  
When measuring size ØD is 70mm, D-14=56mm, however it should be less than 50mm,  
so the diameter of barrier should be less than 50mm.